

Hydraulic-driven centrifugal pumps 液压驱动离心泵

Spraying systems

Liquid transfer

Dust suppression

Construction site dewatering

喷淋系统

液体输送

除尘

施工现场排水



HX AISI 316 stainless steel 316不锈钢材质



Maximum corrosion and wear proof

The microcasted AISI 316 stainless steel construction grants the maximum resistance to wear and corrosion even in the most challenging working contexts.

最大限度的耐腐蚀和耐磨

316不锈钢精密铸造零件的无缝结构和厚度即使在最具挑战性的工作环境中也能提供最大的耐磨性和耐腐蚀性。

General data - 基本数据

Pump 泵型号	Capacity max. 最大流量		Head max. 最高扬程		Speed max. 最高转速
	[m ³ /h]	[US.gpm]	[m]	[ft]	[min ⁻¹]
H1X32-200	40	175	65	215	2900
H1X40-200	65	285	65	215	2900
H1X50-200	110	485	70	230	2900

HL Cast iron 铸铁



Robust design

Cast iron housing and impeller, front and rear wear rings, oversize bearings.

稳健设计

铸铁外壳和叶轮、前后耐磨环、超大轴承。

General data - 基本数据

Pump 泵型号	Capacity max. 最大流量		Head max. 最高扬程		Speed max. 最高转速
	[m ³ /h]	[US.gpm]	[m]	[ft]	[min ⁻¹]
H1L32-200	40	175	65	215	2900
H1L40-200	65	285	65	215	2900
H1L50-200	110	485	70	230	2900
H1L65-200	140	615	50	165	2600

HA Self priming 自吸



Transfer pumps

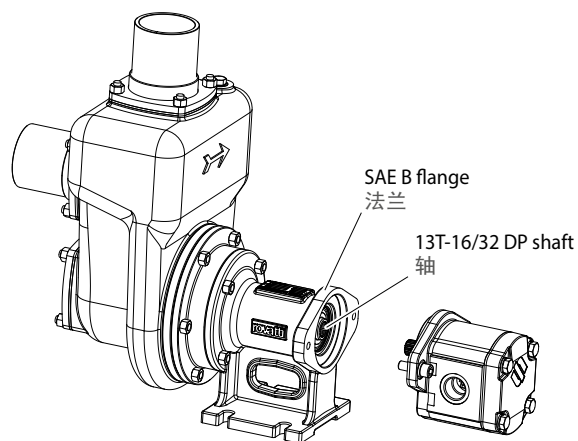
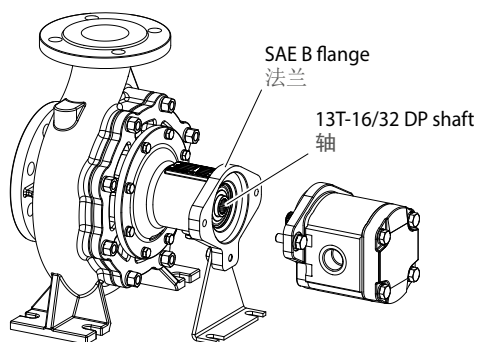
Ready to pump in a short time, easily handle high capacity liquid transfer jobs.

输送泵

在短时间内即可准备就绪，轻松处理大容量液体输送作业。

General data - 基本数据

Pump 泵型号	Capacity max. 最大流量		Head max. 最高扬程		Speed max. 最高转速
	[m ³ /h]	[US.gpm]	[m]	[ft]	[min ⁻¹]
H0-50A	27	120	20	65	2900
H2-60A	36	160	35	115	2900
H2-90A	72	320	37	120	2900



All of the H series are easily coupled with hydraulic motors via SAE B flange and 13T-16/32 DP splined shaft, meaning that no flexible coupling is required.

所有H系列泵都可以通过SAE B法兰和13T-16/32 DP花键轴与液压马达轻松连接，这意味着不需要弹性联轴器。

Customized performance

The performance of the pumps is easily customised as it depends on the supply of the hydraulic fluid to the motor, which can be quickly regulated. The H series pumps can therefore be used at different speeds up to 3000 min⁻¹ and thus perform different services for the same installation, or be used for different applications.

定制性能

泵的性能取决于向电机供应的液压油，易于调节，因此，H系列泵可以在不同的转速下使用，最高可达3,000转/每分钟，相同的安装可执行不同的服务或是用于不同的应用。

Easy maintenance

Cleaning and maintenance operations are simplified because the pump and motor are easy to separate.

易于维护

独立的泵和液压马达简化了维修和更换。

Mounting versatility

Thanks to the compact construction, the installation of the H series is versatile because the position of the pump is not bonded to a PTO or drive shaft. The H series pumps are suitable both for fixed ground installations and vehicle installations.

安装方式多样化

由于结构紧凑，H系列泵安装是通用的，因为泵的位置不受PTO或驱动轴的限制，H系列泵既适用于固定地面安装，也适用于车辆安装。

The H series stands out as a technical benchmark for pumps for excavation drainage, washing systems, spraying systems, fluid transfer, and dust abatement in a range of industrial and agricultural sectors.

H系列泵在农业和工业技术中脱颖而出，产品广泛应用于挖掘排水、洗涤系统、喷淋系统、液体输送和除尘。



A powerful team in the world

Since 1952 Rovatti Pompe manufactures, develops and distributes centrifugal pumps for submersible and surface installations constantly asserting itself as a global leader.

The wide range of centrifugal pumps produced, the well-established experience in the field and the continuous production quality improvement summarize the potential fielded by the Company.

While an active research and development program focuses on technological innovations and environmental impact, the design of new production processes, the development of advanced technical solutions and the use of new materials allow the Company to steadily improve the efficiency, reliability and maintenance of all products.

The value of the employees finally complete the driving force behind the entire Rovatti group.

世界上强大的团队

自1952年以来，Rovatti Pompe一直致力于制造、开发和销售潜水泵、深井泵、地面泵，不断成为全球领导者。

生产的离心泵种类繁多，在该领域积累了丰富的经验，不断提高生产质量，总结了公司在该领域的潜力。

质量和创新代表了Rovatti Pompe所有选择的精神，虽然积极的研发计划侧重于技术创新和对环境的影响，但新生产工艺的设计、先进技术解决方案的开发和新材料的使用使公司能够稳步提高所有产品的效率、可靠性和维护性。

员工的价值构成整个Rovatti集团背后的驱动力。

HEADQUARTERS



2000 DIVISION



IPERSOM DIVISION



HEADQUARTERS:

42042 FABBRICO (REGGIO EMILIA)
ITALY
Tel +39 0522 66 50 00
Fax +39 0522 66 50 20
info@rovatti.it
www.rovatti.it

2000 DIVISION:

42047 ROLO (REGGIO EMILIA)
ITALY
Tel +39 0522 66 72 17 / 0522 66 72 25
Fax +39 0522 66 09 79
info@rovatti.it
www.rovatti.it

IPERSOM DIVISION:

42042 FABBRICO (REGGIO EMILIA)
ITALY
Tel +39 0522 66 08 15
Fax +39 0522 66 02 70
info@rovatti.it
www.rovatti.it

苏州罗瓦迪水泵有限公司

中国江苏省太仓市娄江北路8号B06
邮编: 215400
电话: +86(0)512 - 53375308
传真: +86(0)512 - 53375301
info@rovatti.cn
www.rovatti.cn

SUZHOU ROVATTI PUMPS CO., LTD

Loujiang North Road, 8 ,B06 - 215400
Taicang Economic Development Area
Jiangsu Province - China
Tel: +86 (0) 512 - 53375308
Fax: +86 (0) 512 - 53375301
info@rovatti.cn
www.rovatti.cn

